

Note: Ratings For 3 Way MCB & Circuit Breakers
 For 15 KW = 32 Amp Type C
 For 24 KW = 40 Amp Type C

FACTRON LIMITED

3 Individual Circuit-Breakers on O/Puts

15 & 24 Kilowatt Quartz Heat Controllers Single Phase, or 3 Phase Optional.

Control knob is used to adjust the output when the device functions as a "Stand Alone" unit. Use to switch ON and OFF adjust to set heat output:
 Manual Control "OFF" 33% On 100%ON

"Power On" Lamp

Lights up to Indicate when the controller is powered on.

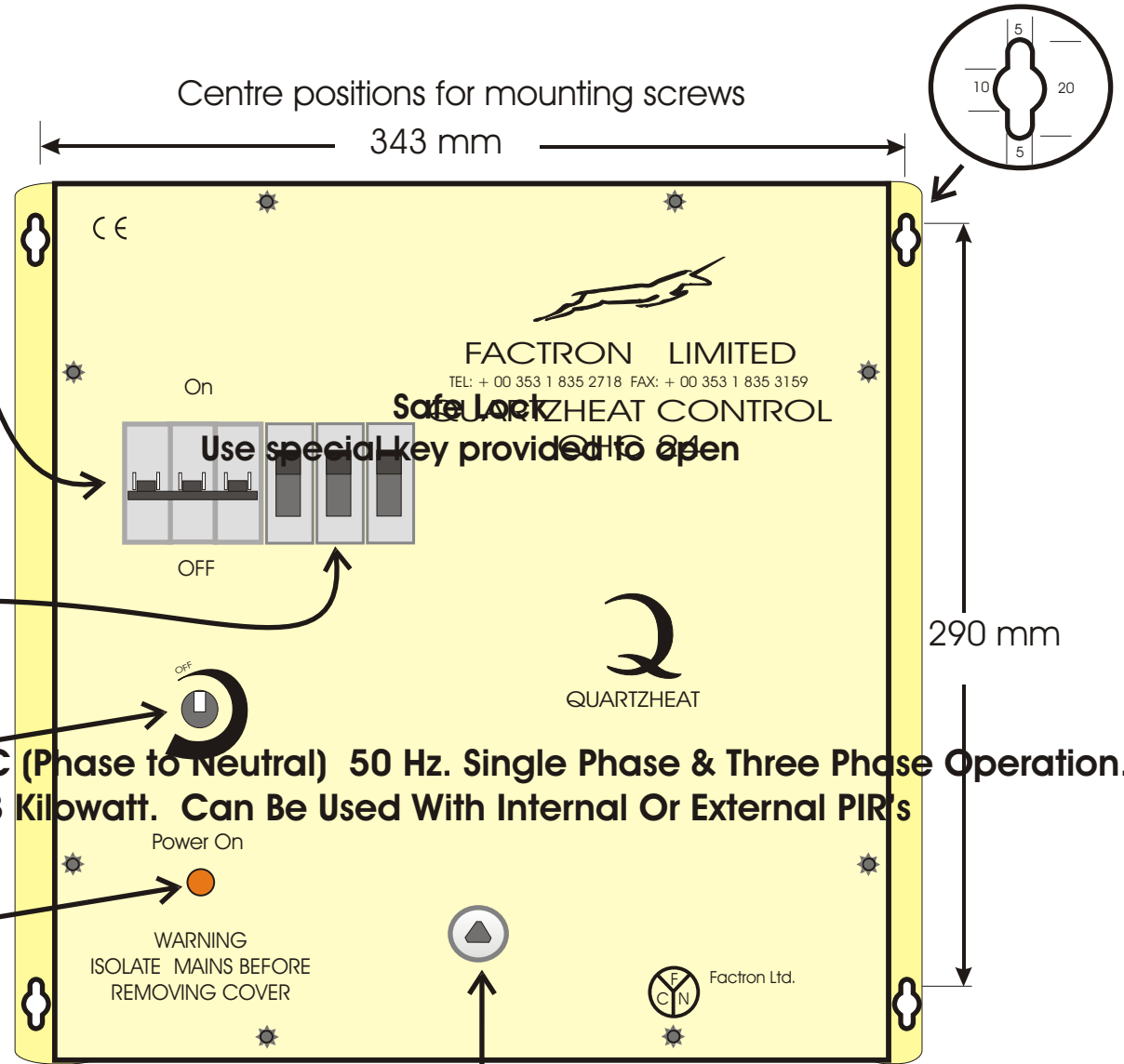
In Stand Alone Operation:
 Control unit is fully functional, can regulate output to Quartz Heaters from: Full Off to 33% On through to 100% Full On.

In Slave Mode Operation:
 Outputs to Quartz Heaters are adjusted from a Central Control. Unit (2 or 8 Zone) which can cater for a maximum of 100 Slaves.

15 & 24 Kilowatt Quartz Heat Control 230V A/C (Phase to Neutral) 50 Hz. Single Phase & Three Phase Operation.
 Minimum Load Per Phase = 0.8 Kilowatt. Can Be Used With Internal Or External PIR's

Each Controller will operate with:

- a. Time Clock
- b. Thermostat
- c. 1, 2 or 3 P.I.R.'s

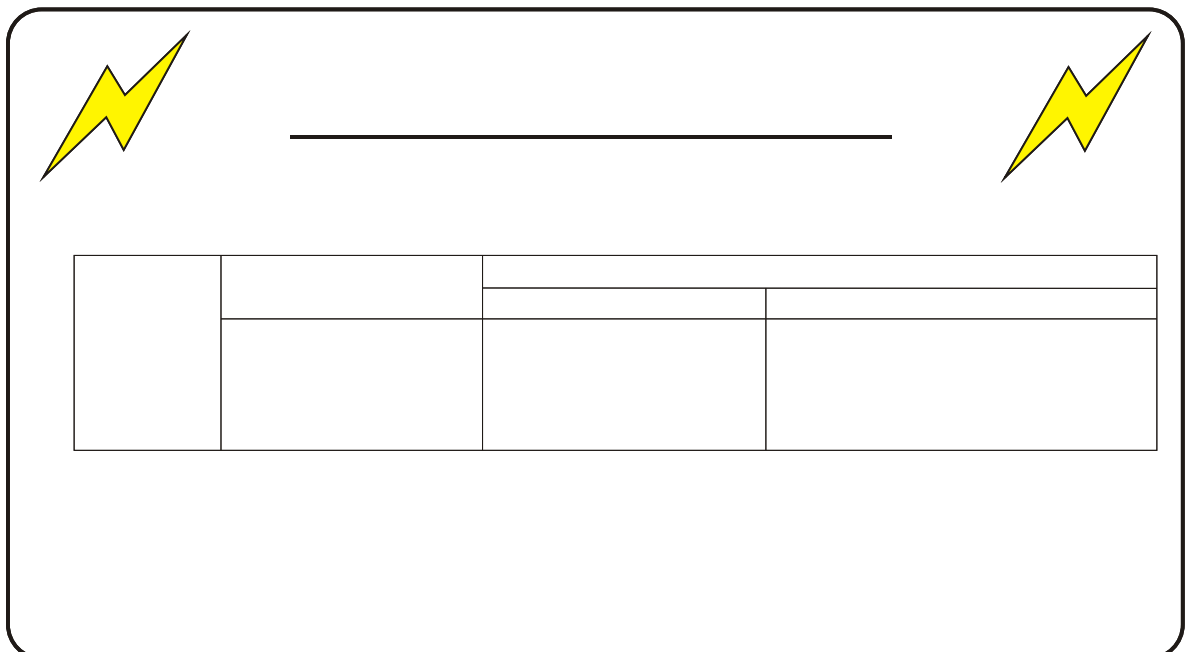


IMPORTANT NOTICE

1. Installation of QHC06, QHC15, QHC24 or QHMC2 Controllers Must be in accordance with National wiring rules. Minimum mains cable sizes to be used: **8 @ Star Washers MUST be used under front cover fixing screws..**

	Maximum Rated Current	Nominal Cross Section Flexible Cords	Cables for fixed wiring
a. QHC6	= 26A	4 and 6	4 to 10
b. QHC15	= 65A	10 and 16	10 to 25
c. QHC24	= 104A	2 @ 10 and 16	2 @ 10 to 25
d. QHMC2	= <0.5	0.5 and 0.75	1 to 2.5
e. Low Voltage (12V) communication line for all of the above		= 0.22 Flexible Cord.	
2. If the supply cord is damaged, it must be replaced by the manufacturer or its service agent or a similarly qualified person in order to avoid a hazard.
3. Fitting Front Cover: The 8 star washers provided must be used when fitting the front cover.

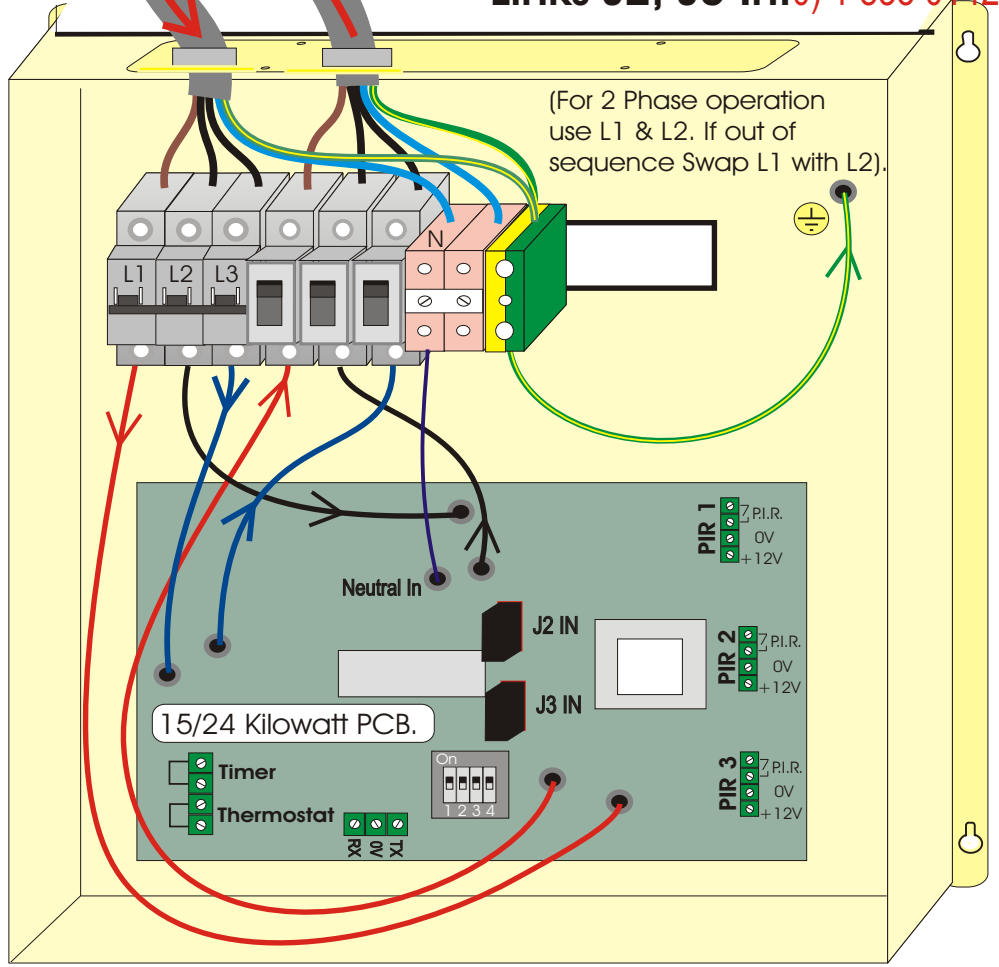
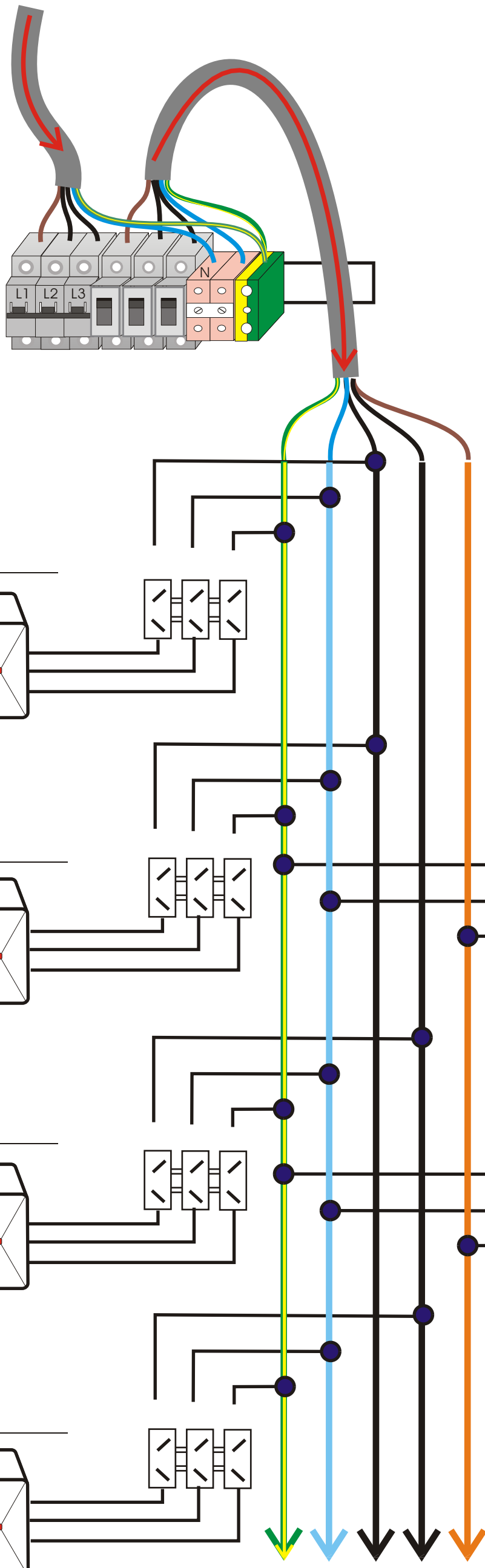
F C N A BETTER SOLUTION



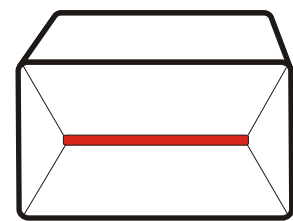
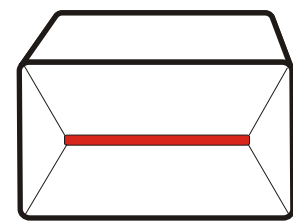
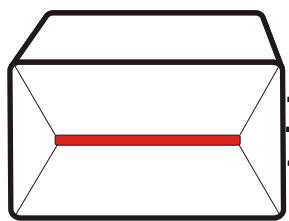
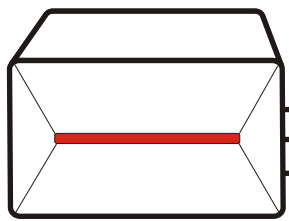
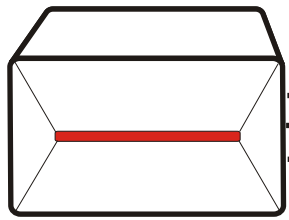
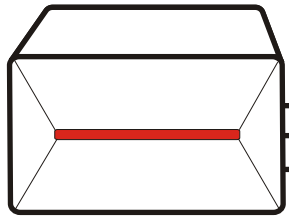


In all cases J3 is IN for "Sand Alone" operation.
When used as a "Slave" J3 is removed.

Stand Alone 3Phase: (Factory Setting) For Addition
Links J2, J3 In. 0 1 835 0142. F.



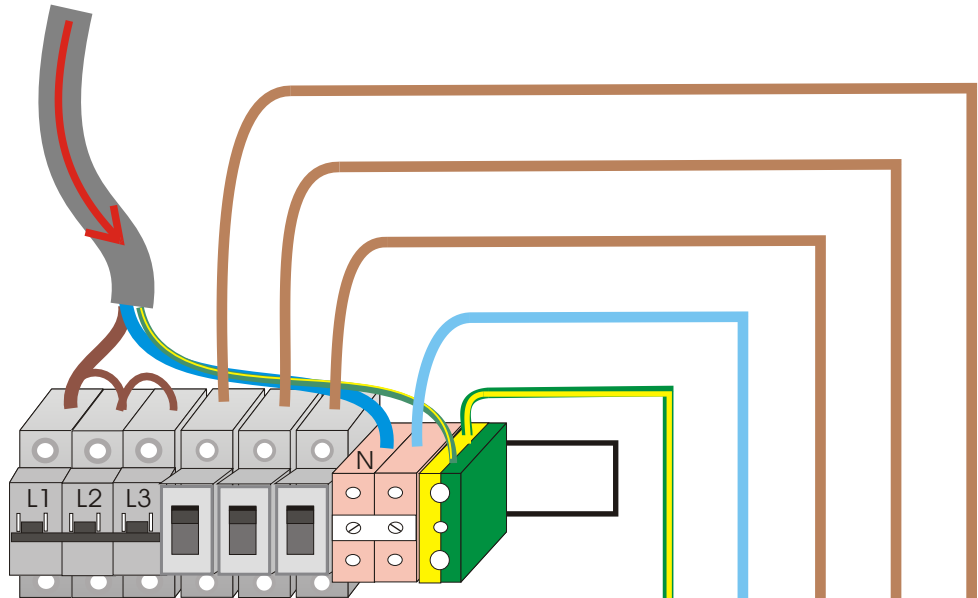
(For 2 Phase operation use L1 & L2. If out of sequence Swap L1 with L2).



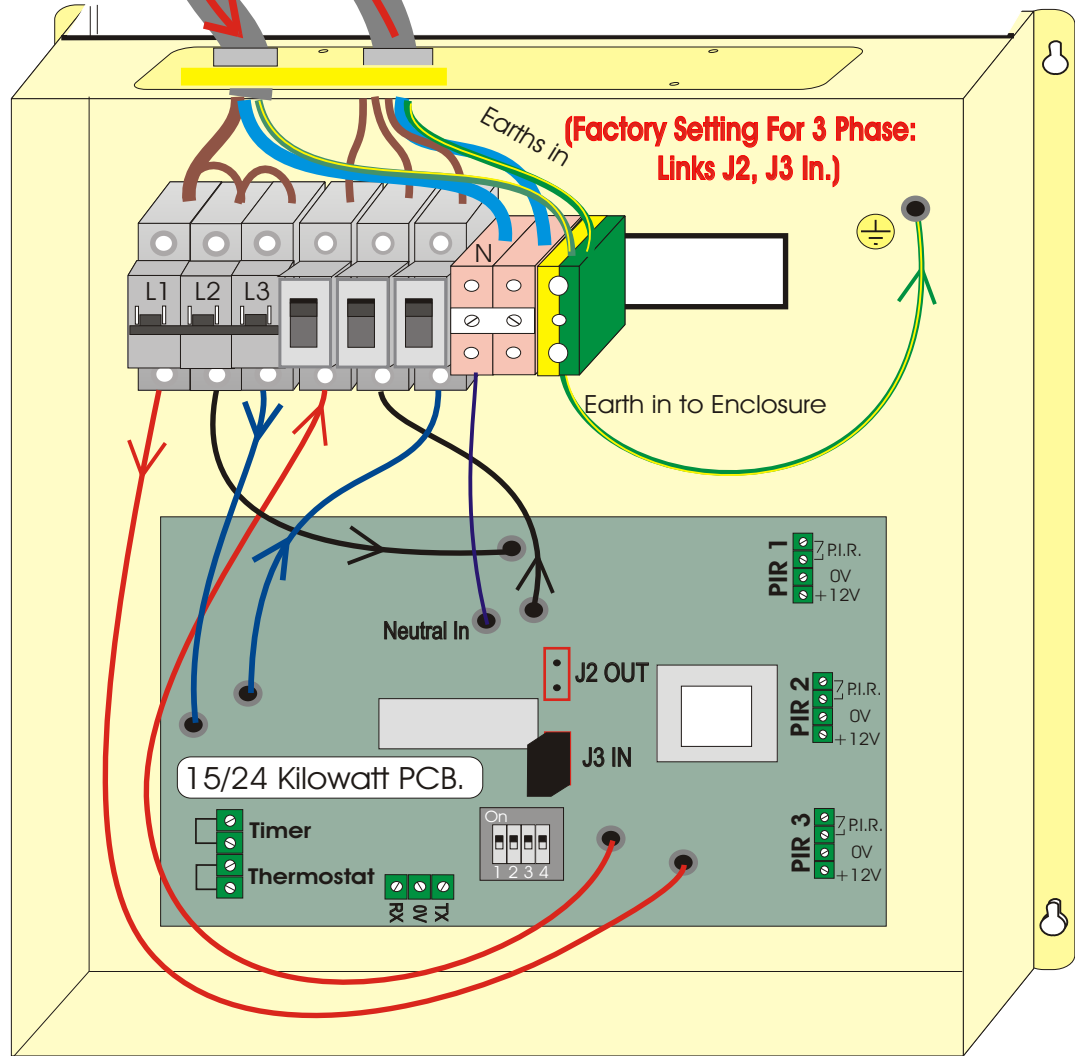
15 & 24 Kilowatt Quartz Heat Controllers In Single Phase, "Stand Alone" Operation.

In all cases J3 is IN for "Stand Alone" operation. When used as a "Slave" J3 is removed.

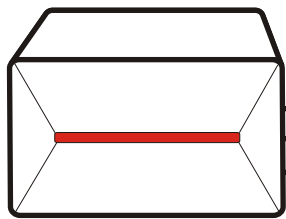
**Stand Alone Single Phase:
Links; J2 Out, J3 In.**



Note: For Single Phase Installation; Link Inputs L1 with L2 & L3 as shown.

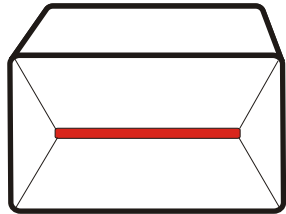


2KW Quartz Heater

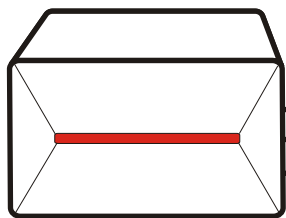


**FACTRON LTD.,
A BETTER SOLUTION**

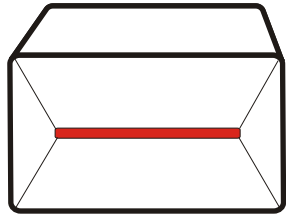
2KW Quartz Heater



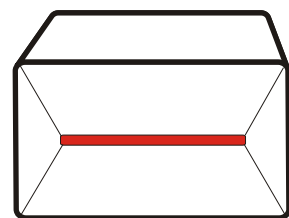
2KW Quartz Heater



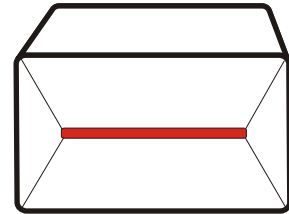
2KW Quartz Heater



2KW Quartz Heater



2KW Quartz Heater



15 & 24 Kilowatt Quartz Heat Controllers
230V A/C (Phase to Neutral)
50 Hz. Single Phase & Three Phase.
For Use With Internal PIR's
Minimum Load Per Phase = 0.8 Kilowatt.

For Additional Heaters